

# AM NOYEE Package

## The solution for unloading Asphalt, Asphalt Emulsion, Bitumen, Bitumen Emulsion

### System concept

#### ENCLOSED PACKAGE PROVIDES PEACE OF MIND

- Compact, all the components are mounted on tank bulkhead
- No reheating system needed, the pump is submerged into the product
- Multi-purpose, attached valves enables the system to carry out all the necessary operations (see page 2)
- Easy to operate valves, sturdy key supplied, lubrication port to prevent the servo valves from sticking
- Easy to clean system, built-in flushing system
- No maintenance required

### Pump concept

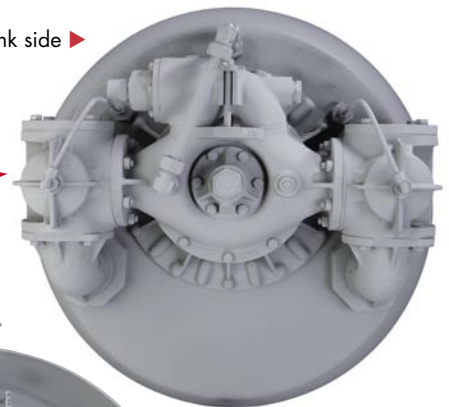
#### RELIABLE SYSTEM

- A-series eccentric disc pump
- Low RPM speed
- Exceptional suction capacity that enables emptying of the piping systems
- Constant flow regardless of viscosity and pressure
- Performance guaranteed over time, clearance compensation device

**Up to 176 gpm (40m<sup>3</sup>/hr)**



Internal tank side ▶



◀ External tank side

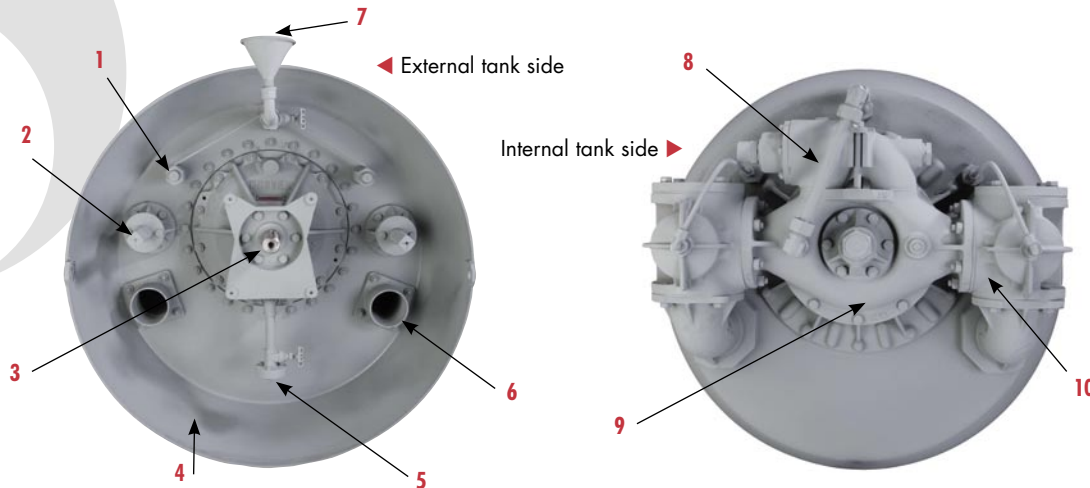
## • Performance Characteristics

- Weight (with bare shaft pump) 197kg (528 lbs)
- 3,5 bar (50 PSI) pressure max
- Max T° 200°C (392°F)

- Flow rate :

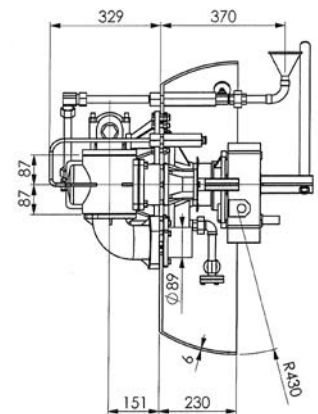
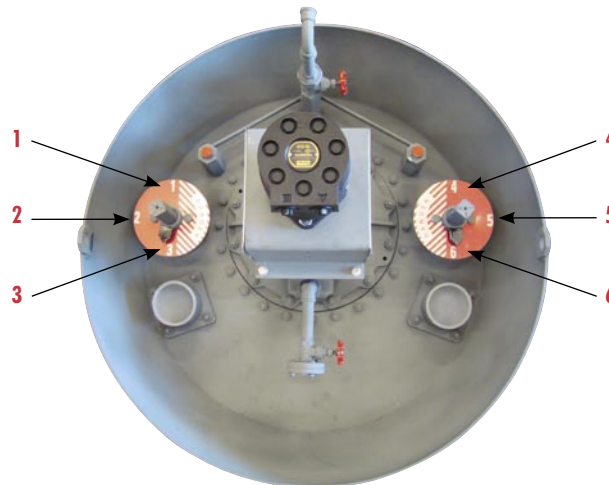
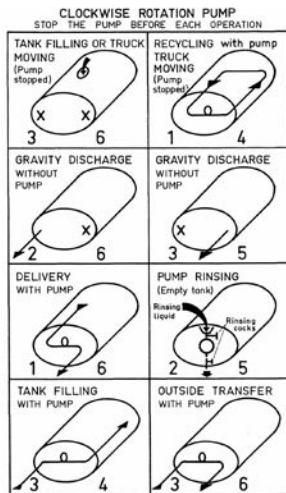
| Speed (t/mn) | Flow rate (m <sup>3</sup> /h) | Power (KW)  |
|--------------|-------------------------------|-------------|
| 350          | 28 (123 GPM)                  | 5 (6.7 HP)  |
| 400          | 32 (140 GPM)                  | 6 (8 HP)    |
| 500          | 40 (176 GPM)                  | 7.5 (10 HP) |

## • Components



|    |                    |
|----|--------------------|
| 1  | Grease nipple (x2) |
| 2  | Valves (x2)        |
| 3  | Pump Shaft         |
| 4  | Tape               |
| 5  | Draining port      |
| 6  | Port (x2)          |
| 7  | Solvent inlet      |
| 8  | By-pass            |
| 9  | Pump               |
| 10 | 3 way valve (x2)   |

## • Functions/Operation



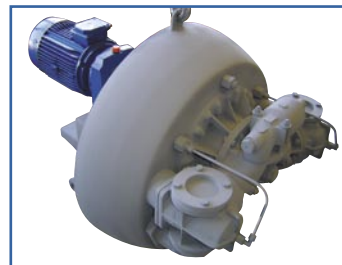
## • Drive Types



Hydraulic drive



Diesel engine drive



Electric motor drive



Mouvex reserves the right to modify information and presentations contained within without prior notice. Non contractual document. 01/2010. Printed in FRANCE by Voluprint.  
© 2010 Mouvex

ZI la Plaine des Isles  
rue des Caillottes  
89000 AUXERRE - FRANCE  
T + 33.3.86.49.86.30  
F + 33.3.86.46.42.10  
contact@mouvex.com



Distributed by: