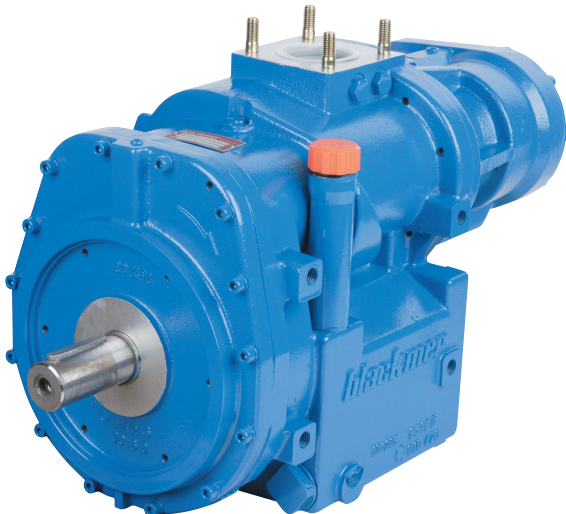




# Screw compressor **MISTRAL**

**The specialist**

- 375 up to 750 m<sup>3</sup>/hr -



## **MISTRAL-20R**

1200 - 2000 rpm CW ↻

## **MISTRAL-30R**

1800 - 3000 rpm CW ↻

### **Dimensions (mm) :**

L 587 x H 355 x W 280

### **Weight :**

115 kg

**The solution for an optimum mounting  
inside truck frame.**

## **MISTRAL-13R/15L**

either 780 - 1300 rpm CW ↻  
or 900 - 1500 rpm CCW ↻

## **MISTRAL-19R/22L**

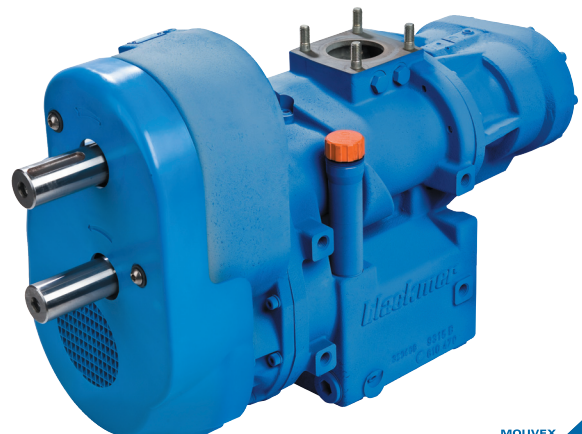
either 1170 - 1950 rpm CW ↻  
or 1320 - 2250 rpm CCW ↻

### **Dimensions (mm) :**

L 723 x H 442 x W 295

### **Weight :**

145 kg





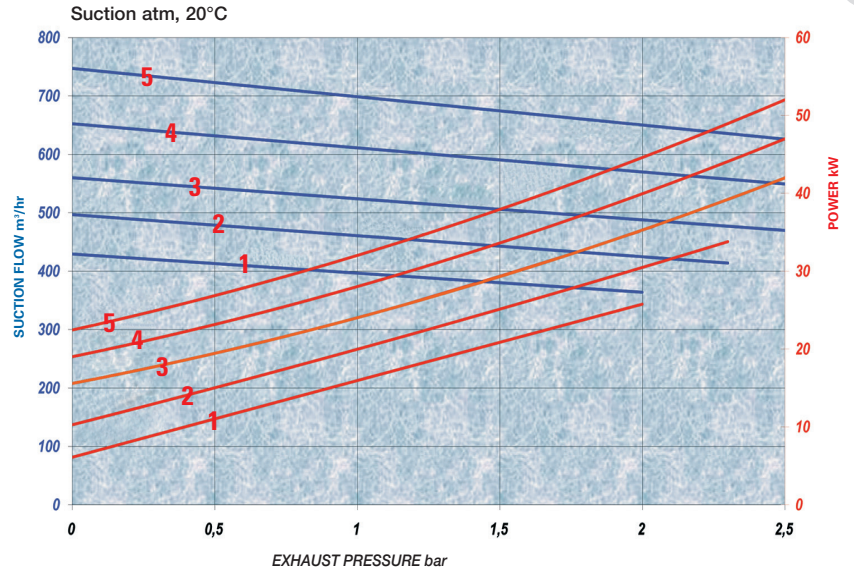
# Screw compressor MISTRAL

## Speed (rpm)

### COMPRESSOR SPEED

VERSION	1	2	3	4	5
13R	780	910	1040	1170	1300
15L	900	1050	1200	1350	1500
19R	1170	1365	1560	1755	1950
20R	1200	1400	1600	1800	2000
22L	1320	1580	1800	2035	2250
30R	1800	2100	2400	2700	3000

## Flow (m<sup>3</sup>/hr) / Power (kW)

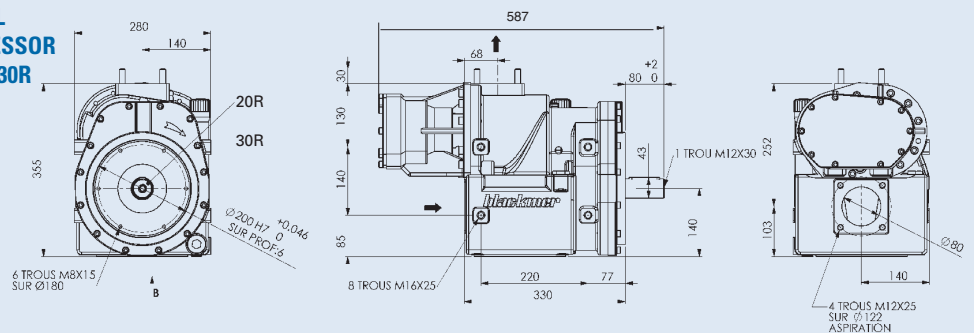


## Torque / Pressure (Nm)

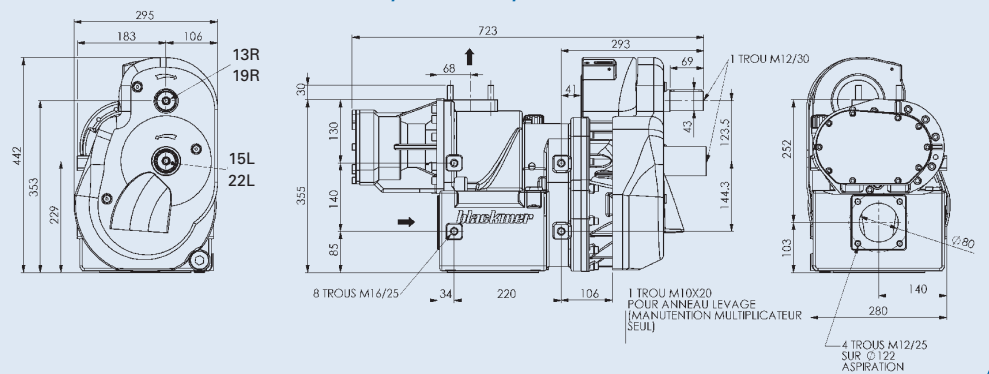
VERSION	1.5	2.0	2.5
13R	280	320	380
15L	240	280	330
19R	190	220	260
20R	180	210	250
22L	160	190	230
30R	120	140	170

\*At full speed

### MISTRAL COMPRESSOR 20R and 30R



### MISTRAL COMPRESSOR WITH MULTIPLIER 13R/15L and 19R/22L



Mouvex reserves the right to modify the information and illustrations contained in this document without prior notice. This is a non-contractual document.  
Printed in FRANCE by Filigrane  
© 2009 Mouvex

ZI la Plaine des Isles  
rue des Caillottes  
89000 AUXERRE - FRANCE  
T + 33.3.86.49.86.30  
F + 33.3.86.46.42.10  
contact@mouvex.com

www.mouvex.com



Distributed by :